

U-JIN®

Head Office :

#504, Hanaro Plaza Bldg, 2033 Daehwa-Dong, Ilsan-Ku, Koyang-Si, Kyungki-Do, Korea/TEL:82-31-917-8351~3/FAX:82-31-917-8355/E-mail:ujin001@ujin-led.co.kr

Overseas Factory:

Plot#61, SECTOR#7, Export Processing Zone, Chittagong, Bangladesh/ TEL:(880)31-74-0050/FAX:(880)31-74-0038/E-mail:ujinbd@spnetctg.com

ULP-M36D

5.0mm Bi-color(Multi-Color) with common Cathode.

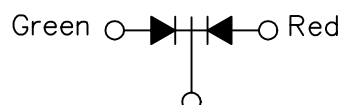
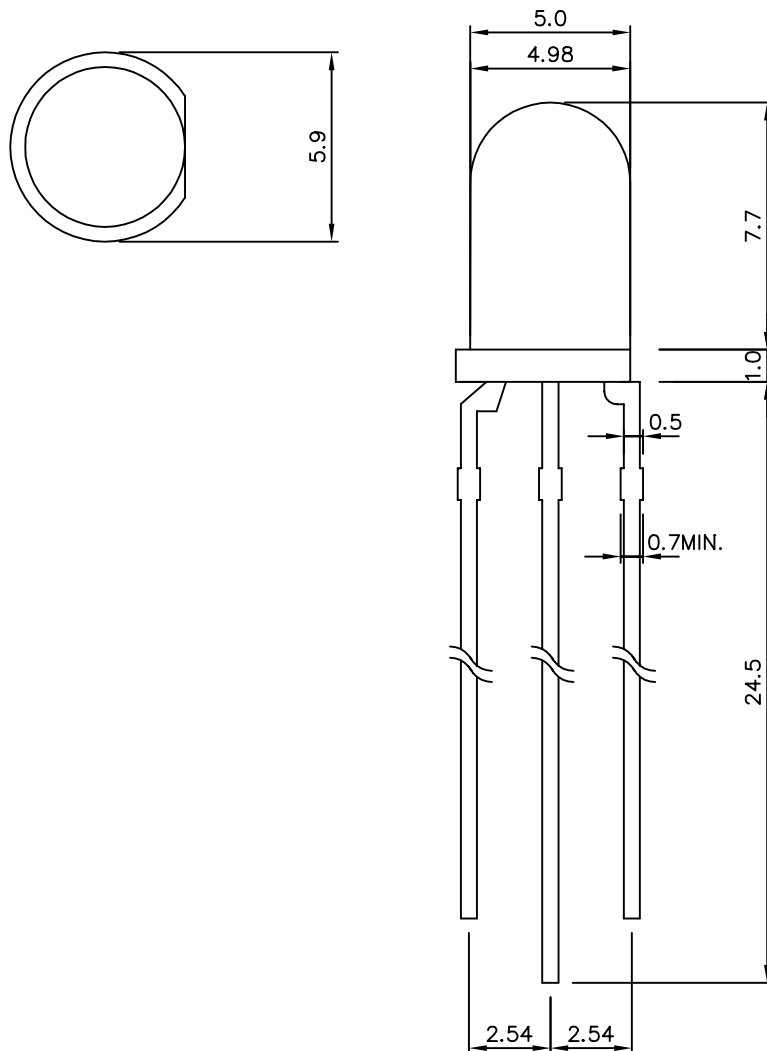
■ Features:

- ▶ Two chips are matched for uniform light output, wide viewing angle.
- ▶ Long life-solid state reliability
- ▶ IC compatible/Low power consumption

■ Applications:

- ▶ TV set
- ▶ Monitor
- ▶ Telephone
- ▶ Computer

■ Outline Dimensions



■ Notes:

1. All dimensions are in millimeters
2. Tolerances unless dimension $\pm 0.25\text{mm}$